



Primer

GE-24 CENTRAL STEAM GENERATOR

FEATURES

ELECTRIC AND AUTOMATIC STEAM BOILER

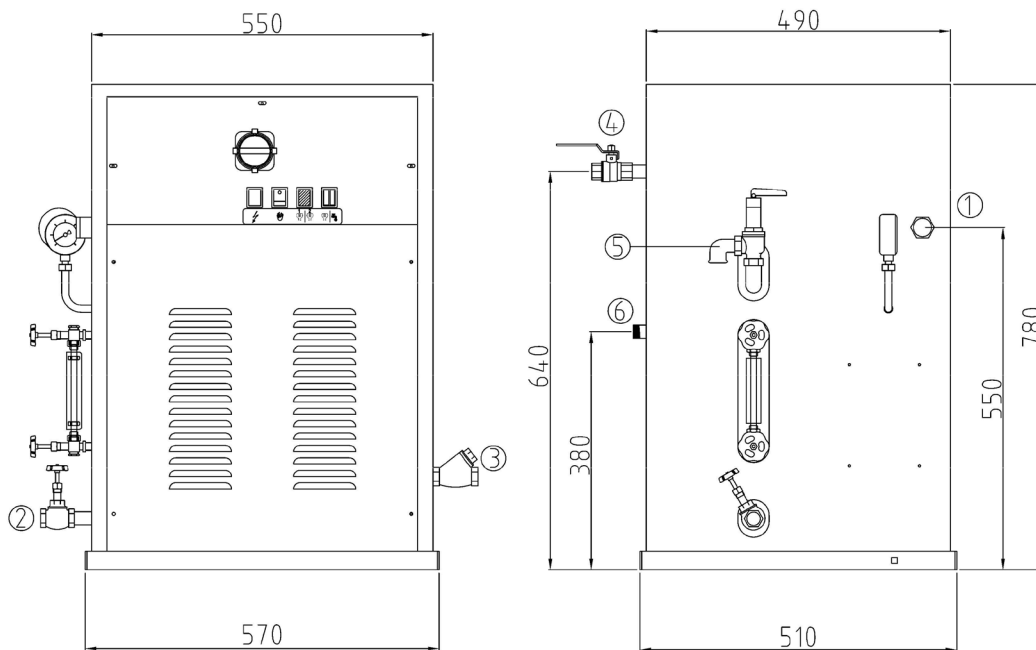
- Automatic water feeding or ready to be connected to a condensate tank.
- Power available 12 or 22 kw, one set of heaters.
- Steam production: 16 or 29 kg/h.
- Boiler shell manufactured in accordance to the current PED regulations.
- Steam working pressure: 1 - 7 bar
- Boiler capacity 24,9 lt.
- Voltage 400V III+N / 230V III 50-60 Hz



OPTIONS

- Stainless steel condensate recovery tank
 - 83 lt - GE-24 - 22 KW
 - 45 lt - GE-24 - 12 KW

TECHNICAL DATA	UNIT.	GE-24
GENERAL DETAILS		
Boiler capacity	l	24,9
Steam pressure	Bar	0,3 - 7
Working temperature	°C	+5 ÷ +80
Working humidity	-	90 % max
POWER		
Boiler heaters	Kw	12 - 22
Steam production	Kg/h	16 - 29,7
Pump motor power	HP	0,5
CONNECTIONS		
Water feeding inlet	Inch	1/2"
Boiler exhaust	Inch	1/2"
Steam inlet	Inch	1/2"
Condensate return with valve	Inch	1/2"
DIMENSIONS		
Dimensions	mm	580 x 660 x 780
Net weight	kg	85
Gross weight	kg	111
Packing dimensions	mm	880 x 730 x 1.050
OTHERS		
Voltage	Hz	230-400V III 50/60
Sound level	dB	< 70



1. PG21 power supply inlet.
2. Boiler exhaust.
3. Water feeding inlet.
4. Steam inlet.
5. Safety valve.
6. Condensate return with valve.