



Primer

DDO-18

TURBO

TUMBLE DRYERS



P PROGRAMMER

New P programmer: push buttons to control temperature and time



OUTSTANDING FEATURES

Reversing drum action as standard
Stainless steel drum as standard
Frequency inverter as standard



EFFICIENCY

DUAL AIRFLOW- New 'optimized' system of mixed airflow
Big fluff filter



VERSATILITY

Make to order - customisation
OPL > Multivending - Standard OPL model easily trasformable to coin laundry uses



ERGONOMICS

Drawer as fluff filter, stainless steel mesh
Biggest door diameters



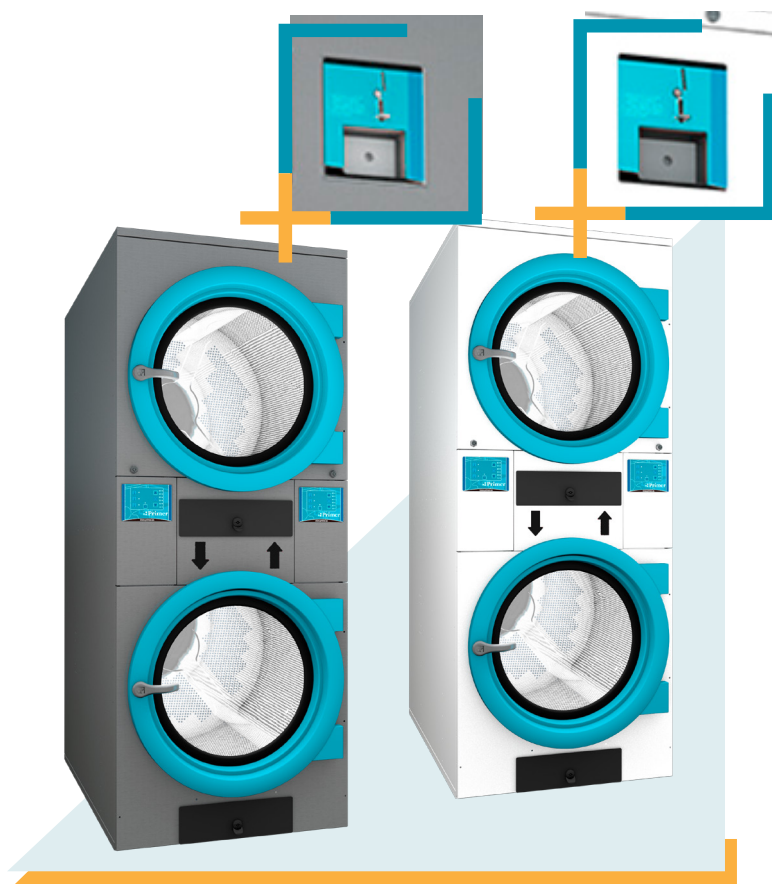
MAINTENANCE

Hinged control panel: easy and ergonomic access
Technical menu: statistics for technicians and maintenance with external console (with console option)



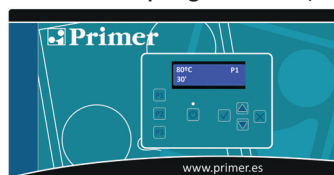
OTHERS

Grey skinplate outer casing, stainless steel look
Transmission by direct drive
EFFICIENT DRUM- The new drum with stamped holes
COOL DOWN - anti-wrinkle at the end of the cycle
Heating options: electric and gas
CE approved



OPTIONS

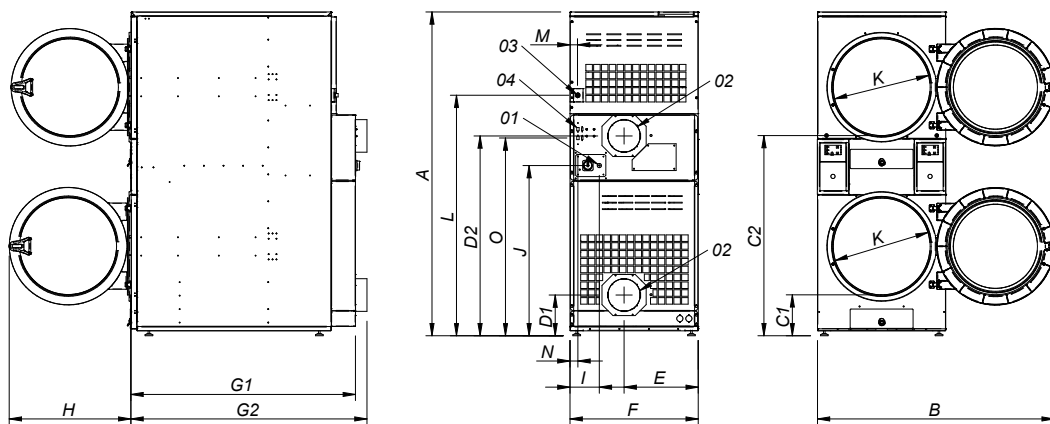
- Screen in P programmer (2 units)



- Double doorglass (DDS-18 TURBO)
- Fluff filter with grid 0,3 mm (standard is 0,6 mm)
- Stainless steel front and side panels (DDS-18 TURBO)
- Front panel in stainless steel (DDS-18 TURBO)
- Maritime wooden packing
- Ship voltage for electric models: 440V III 50/60 Hz No neutral
- Other voltages available

TECHNICAL DATA	UNIT.	DDS-18 TURBO	DDL-18 TURBO		
CAPACITY					
Capacity 1/18	Kg	37	37		
Capacity 1/20	Kg	33	33		
Hourly Output (gas)*	Kg/h	70,7	70,7		
Evaporation capacity (gas)*	l/h	35,3	35,3		
DRUM					
Ø Drum	mm	750	750		
Ø Door	mm	574	574		
Door center height	mm	547 / 1.522	547 / 1.522		
Load hole bottom height	mm	260 / 1.235	260 / 1.235		
Drum length	mm	746	746		
Drum volume	l	330	330		
POWER					
Drum motor power	kW	0,37x2	0,37x2		
Fan motor power	kW	0,55x2	0,55x2		
Electric heating power	kW	-	-		
Total electric power (elec.model)	kW	-	-		
Gas heating power	kW	24x2	24x2		
Instant propane gas consumption (G31)	kg/h	2,06 X 2	2,06 X 2		
Instant natural gas consumption (G20)	m3/h	2,54 X 2	2,54 X 2		
Total electric power (gas model)	kW	1,94	1,94		
CONNECTIONS		ELECTRICAL	GAS	ELECTRICAL	GAS
Tension 230V - I + N + T	Nº x mm2 / A	-	3 x 1,5 / 20A	-	3 x 1,5 / 20A
Tension 230V - III + T	Nº x mm2 / A	4 x 25 / 80A	3 x 1,5 / 20A	4 x 25 / 80A	3 x 1,5 / 20A
Tension 400V - III + N + T	Nº x mm2 / A	5 x 10 / 40	3 x 1,5 / 20A	5 x 10 / 40	3 x 1,5 / 20A
Ø Gas inlet	BSP	1/2"		1/2"	
DIMENSIONS / PACKING DIMENSIONS					
Net width / Gross width	mm	785 / 865		785 / 865	
Net Depth / Gross Depth	mm	1443 / 1457		1443 / 1457	
Net Height / Gross Height	mm	1980 / 2126		1980 / 2126	
Net weight / Gross weight	Kg	320 / 349		320 / 349	
OTHERS					
Max airflow	m3/h	750 x 2		750 x 2	
Ø Fume exhaust	mm	200 x 2		200 x 2	
Sound level	dB	64		64	

* It may vary depending on the type of heating, filter cleanliness or extraction type.



- 01 POWER SUPPLY
- 02 2 FUMES OUTLET Ø200
- 03 2 SPRINKLER VALVES 3/4"
- 04 GAS INLET 1/2"
- 05 ETHERNET CONNECTION (only available CONTROL T2 models)

	A	B	C1	C2	D1	D2	E	F	G1	G2	H	I	J	K	L	M	N	O
DDS-18 TURBO	1980*	1447	259	1234	250	1223	454	785	1374	1443	735	180	1040	575	1472	45	49	1210
DDL-18 TURBO	1980*	1447	259	1234	250	1223	454	785	1374	1443	735	180	1040	575	1472	45	49	1210

* Medida con patas montadas (30mm)

