



# Primer

## LS-35C / 45C T2

### HIGH SPIN WASHER EXTRACTORS



#### T2 CONTROL

User friendly and totally programmable 7" USB Connection. Online platform free of charge for programming, telemetry, data analysis...thanks to the IoT. Videos on display (ads, instructions, etc.) 37 languages. 8 dosing signals as standard



#### G FACTOR

High G-FACTOR of 450



#### CONNECTIVITY

IoT PrimerLINK standard  
Remote technical service  
Management of laundries: OPL and COIN  
Remote payment



#### EFFICIENCY

Intelligent consumption  
Optimal KG  
Water Recovery tanks ready: SAVETANK  
Low water consumption



#### VERSATILITY

Make to order: customisation  
OPL < > COIN  
Electric < > Hot water  
Wet cleaning features



#### ERGONOMICS

Biggest door diameters: Ø560  
Easy opening/closing system for door lock



#### MAINTENANCE

Hinged control panel: easy and ergonomic access  
Technical menu: statistics for technicians and maintenance with external console (with console option)



#### OTHERS

Grey skinplate outer casing.  
Drum and tub in stainless steel AISI 304  
Detergent dispenser with 4 compartments  
Electronic control of imbalance with frequency control  
LOADING AID feature: water and rotation control  
CB and WRAS approved product Option ETL  
High spin washers with suspended drum.

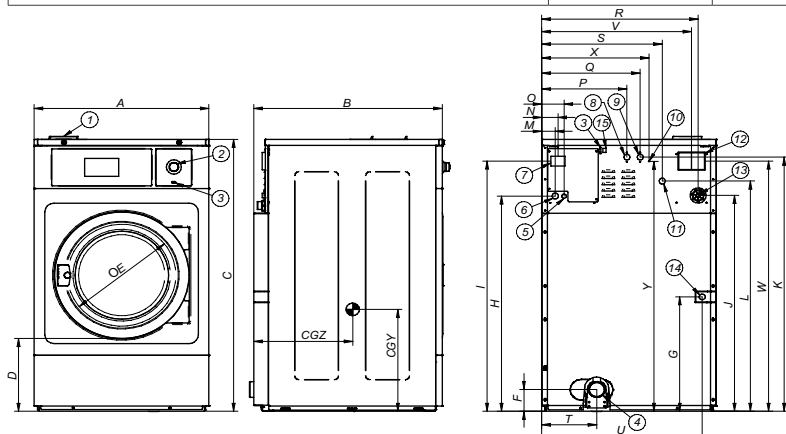


#### OPTIONS

- Dosing pump kit DQ-2
- Extra dosing pump DB-1
- Double drain
- Normally closed valve
- Recirculation of bath water
- Levelling feet
- Auto Weight: automatic weighing sensor system on feet (Includes kit with extra dosing signals)
- Relay card with 6 extra dosing signals: up to 14 signals
- Reversible door opening
- Tropicalized model: protected board
- Kit to transform an E or HW into steam version
- Plinth to align loading height (door base at 850mm)
- Stainless steel AISI 304 outer casing
- Stainless steel AISI 304 front panel for 35kg
- Steam kit to transform an E or HW heated machine into steam version
- Maritime voltage for electric models: 440V III 50/60 Hz No neutral
- Coin/token kit
- Auto unlock kit for the door.

TECHNICAL DATA	UNIT.	LS-35C T2		LS-45C T2	
<b>DRUM</b>					
Load capacity 1:9 / 1:10	Kg	39/35		50/45	
Volume	l	350		450	
Diameter	mm	860		860	
Depth	mm	602		720	
<b>GENERAL DETAILS</b>					
Washing speed / Spining speed	r.p.m.	42,5/966		42,5/966	
G Factor	-	450		450	
Maximum force transmitted	KN	7,36 ±2,45		7,36 ±2,45	
Frequency-dynamic force	Hz	14,3		14,3	
Noise level	dB	< 70		< 70	
Coin laundry version	-	Yes		No	
Double drain	-	Opt		Opt	
Weighing System / Tilting System	-	Opt / No		Opt / Opt	
SLUICE option	-	No		No	
<b>DOOR</b>					
Height center door / Height door	mm	885 / 540		885 / 540	
Diameter	mm	560		560	
<b>POWER</b>					
Motor	kW	6		6	
Electric heating power	kW	21		21	
Total electric power (electric model)	kW	22		22	
Total electric power (hw, steam model)	kW	6		6	
<b>CONNECTIONS</b>					
		ELECTRIC		STEAM - HOT WATER	
		ELECTRIC		STEAM - HOT WATER	
Tension 230V - I + N + T	Nº x mm2 / A	-		-	
Tension 230V - III + T	Nº x mm2 / A	3x16+T - 63A		3x4+T - 32A	
Tension 400V - III + N + T	Nº x mm2 / A	4x6+T - 40A		4x2,5+T - 20A	
Steam inlet (Steam model) inch	inch	3/4"		3/4"	
Maximum steam consumption (Steam model)	Kg/h	18		18	
Water inlet inch	inch	3/4"		3/4"	
Water main pressure	Kgs/cm2	2-4		2-4	
Maximum water consumption*	Lit/h	261,3*		335,9*	
Drain inch	inch	3"		3"	
Drainage capacity	Lit/min	200		200	
<b>DIMENSIONS / PACKING DIMENSIONS</b>					
Net Width / Gross Width	mm	1.095 / 1.165		1.095 / 1.195	
Net Depth / Gross Depth	mm	1.184 / 1.230		1.304 / 1.440	
Net Height / Gross Height	mm	1.598 / 1.920		1.598 / 1.920	
Net weight / Gross weight	kg	750 / 820		770/840	
Volume	m3	2,75		3,3	

\* Program nº20, 75% load



1. SOAP DISPENSER
2. EMERGENCY STOP
3. USB PORT
4. DRAIN
5. ELECTRIC CONNECTION TO LIQUID SOAP PUMPS
6. ELECTRICAL CONNECTION
7. MAIN SWITCH
8. AUXILIAR WATER INLET
9. HOT WATER INLET
10. EQUIPOTENTIAL CONNECTION
11. COLD WATER INLET
12. BLUR OUTPUT / WATER OVERLOAD
13. LIQUID SOAP CONNECTION
14. STEAM CONNECTION
15. ETHERNET PORT

	A	B	C	D	E	F	G	H	I	J	K	L	M	N	O	P	Q	R	S	T	U	V	W	X	Y	CGY	CGZ	
LS-35C	mm	1.095	1.184	1.600	525	560	158	576	1.330	1.498	1.331	1.513	1.417	61	74	101	596	676	976	808	384	1.028	946	1.496	740	1.558	795	732
LS-45C	mm	1.095	1.304	1.600	525	560	158	576	1.330	1.498	1.331	1.513	1.417	61	74	101	596	676	976	808	384	1.028	946	1.496	740	1.558	795	800

