

## INDUSTRIAL MANNEQUINS

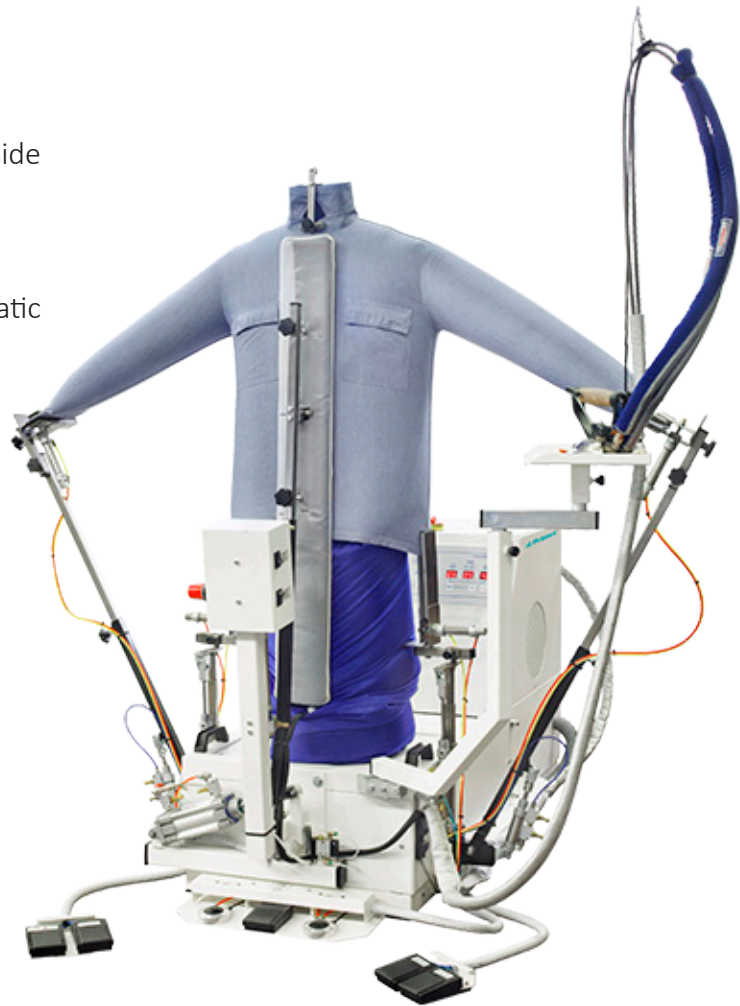


### MAN-CA-V

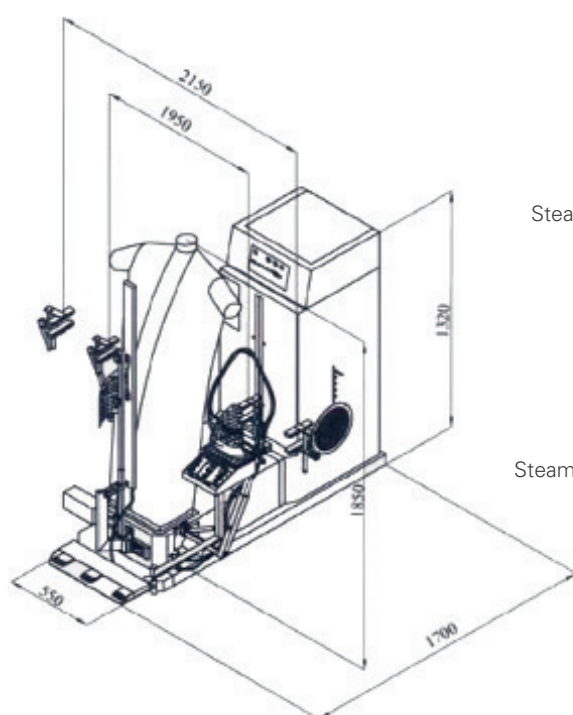
## FEATURES

### MAN-CA-V

- To be connected to a central steam supply.
- Two sleeve stretchers with double independent traction.
- Front heated and reclining panel.
- Automatic carriage with photocell for the stretching of side and back part.
- Powerful 3 HP fan.
- Button placket part of the dummy with suction.
- Electronic card featuring ten programs for an automatic working cycle.
- Steam iron connection complete with «all-steam»-iron.
- Air superheater ranging from 0° to 350° C.
- Electronic card for the setting of 9 ironing cycles in total.
- It needs compressed air.
- Air working pressure: 5-6 bar.
- Air consumption: 20 NI/min.
- Electric connection: 400V III +N.



TECHNICAL DATA	UNIT.	MAC-SHIRT-C
<b>GENERAL DETAILS</b>		
Board dimensions	mm	-
Boiler	-	No
Boiler capacity	l	-
Compressor	-	-
Steam iron assembly	-	-
Steam gun	-	-
Polished upper buck	-	-
<b>POWER</b>		
Vacuum Motor	HP	-
Pump Motor	HP	-
Compressor motor (Mod. with option)	-	-
Boiler Heater (Mod. with option)	-	-
Fan motor	HP	3
<b>CONNECTIONS</b>		
Ø Water inlet	BSP	-
Ø Boiler exhaust (mod. with boiler)	BSP	-
Ø Steam inlet	BSP	1/2"
Ø Condensate outlet	BSP	1/2"
Steam pressure	BAR	4-8
Steam Consumption	Kg/h	20-30
Ø Air inlet	BSP	1/4"
Ø Air outlet	BSP	1/4"
Air pressure	BAR	6
Air Consumption	NI/m	20
<b>DIMENSIONS / PACKING DIMENSIONS</b>		
Width / Width	mm	1.900/1.940
Depth / Depth	mm	1.600/1.190
Height / Height	mm	1.850/1.850
Net weight / Gross weight	kg	189/276
Volume	m <sup>3</sup>	5,62/4,27
<b>OTHERS</b>		
Voltage	Hz	400V III 50/60
Sound level	dB	70



Compressed air 1/4": Advisable pressure min. 4 Bar - max. 7 Bar

